

URGENT SAFETY INSTRUCTIONS SAVE THESE INSTRUCTIONS

When using an electrical appliance, basic precautions should always be followed, including the following:

READ ALL INSTRUCTIONS BEFORE USING THIS APPLIANCE

WARNING: To reduce the risk of fire, electric shock, or injury:

- Do not use on wet surfaces or outdoors.
- Do not allow to be used as a toy. Close attention is necessary when used by or near children.
- Use only as described in this manual. Use only manufacturer's recommended attachments.
- Do not put any object into openings. Do not use with any opening blocked; keep free of dust, lint, hair, and anything that may reduce air flow.
- Keep hair, loose clothing, fingers, and all parts of body away from openings and moving parts.
- Do not pick up anything that is burning or smoking, such as cigarettes, matches, or hot ashes.
- Do not use without dustbag and filter in place.
- Turn off all controls before unplugging.
- Use extra care when cleaning on stairs.
- Do not use to pick up flammable or combustible liquids such as gasoline or use in areas where they may be present.
- Always turn off power brush before connecting or disconnecting.
- A current-carrying hose contains electrical wires. Do not use the hose if it is damaged, cut or punctured. Avoid picking up sharp objects. Connect to a properly grounded outlet only. See installation instructions for grounding instructions.
- Do not use with damaged cord or plug. If appliance is not working as it should, if it has been dropped, damaged, left outdoors, or dropped into water, return it to a service center.
- Do not unplug the unit by pulling on cord. To unplug, grasp the plug, not the cord.
- Do not handle plug or appliance with wet hands.
- Suitable for household or commercial use.
- Any servicing other than that recommended in this manual should be performed by an authorized service facility.

INTRODUCTION

The power unit is located away from the everyday living areas of your home – usually in the garage, basement, or utility room. Through a network of strong, lightweight tubing, the power unit connects to inlets strategically placed throughout your home. You attach cleaning tools to the system's hose and insert the hose into the inlet. Inserting the hose automatically turns on the power unit.

OPERATION

WARNING: To avoid electric shock, never use hose and tools on a wet surface. To avoid fire hazard, do not use vacuum to pick up matches, fireplace ashes, or smoking material.

The system status indicator light on the side of the power unit indicates that the power unit is ready for use. Under normal operation, the light will be green. The light will change to amber when it is time to change the soil bag. See page 4 for directions on changing the soil bag.

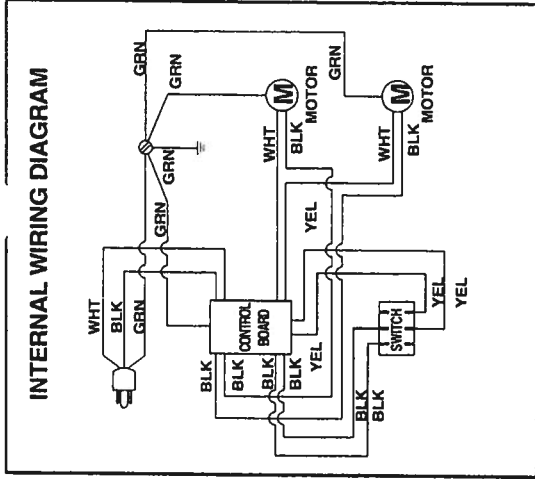
When you are ready to clean, attach the wands and cleaning tool onto the end of the hose. Open the inlet cover and insert the end of the hose into the inlet.

For non-switched hoses, inserting the hose automatically turns on the power unit; removing the hose shuts off the power unit. Some hoses have switches which can be used to activate power unit. **NOTE:** The inlet located on the power unit does not automatically work when the hose is inserted. To turn on the power unit inlet, use the rocker switch located on the side of the power unit.

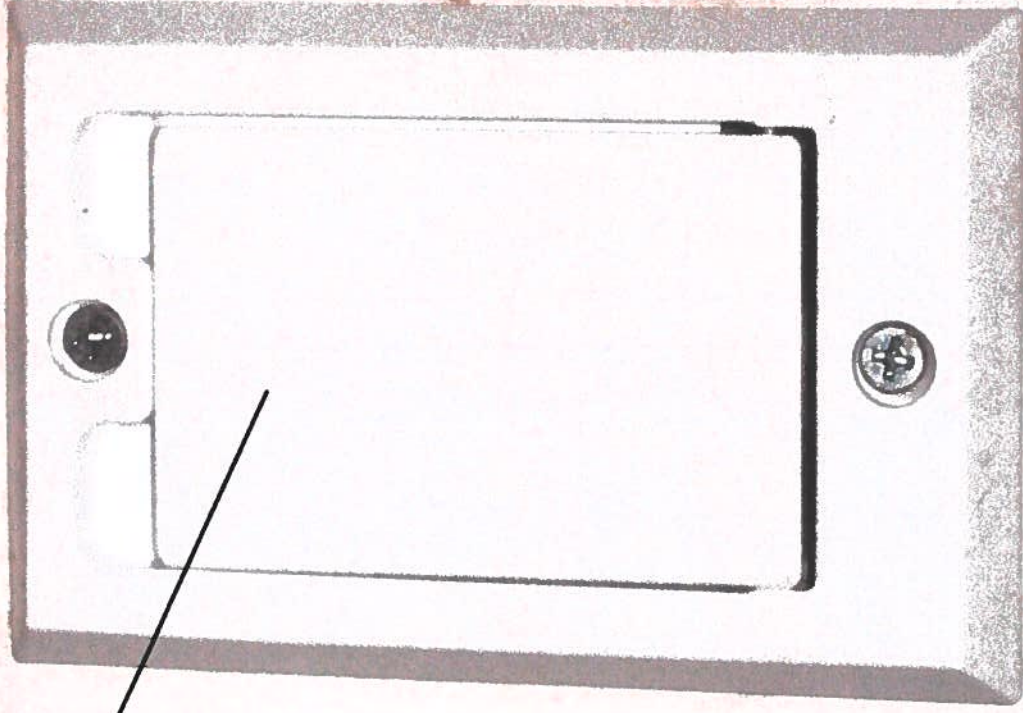
Use the cleaning tools as you would for any other vacuum cleaner. Avoid picking up pine needles, popsicle sticks, and other similar objects. These kinds of objects may become lodged in the hose or tubing.

VACUUM POWER CONTROL

The wand ends of the deluxe hoses are equipped with a control ring to regulate suction. The control ring covers a "bleeder" hole. Open the hole to reduce the suction for cleaning draperies, small rugs, and other light fabrics. Some very thick, plush carpets with high density yarns also require reduced suction to make the nozzle easier to push. Be sure to close the control ring completely over the hole to produce the maximum power required for most other cleaning tasks. (The economy hose does not have a control ring.)



Central Vacuum System Port



Located on apartment walls.
Pull the door open, push
vacuum hose into port and
system starts automatically.
When completed vacuuming,
pull hose out of port.

Please DO NOT use this system
to vacuum fireplace ashes or
any liquid spills.

Central Vacuum
System Hose and
Cleaning Attachments

